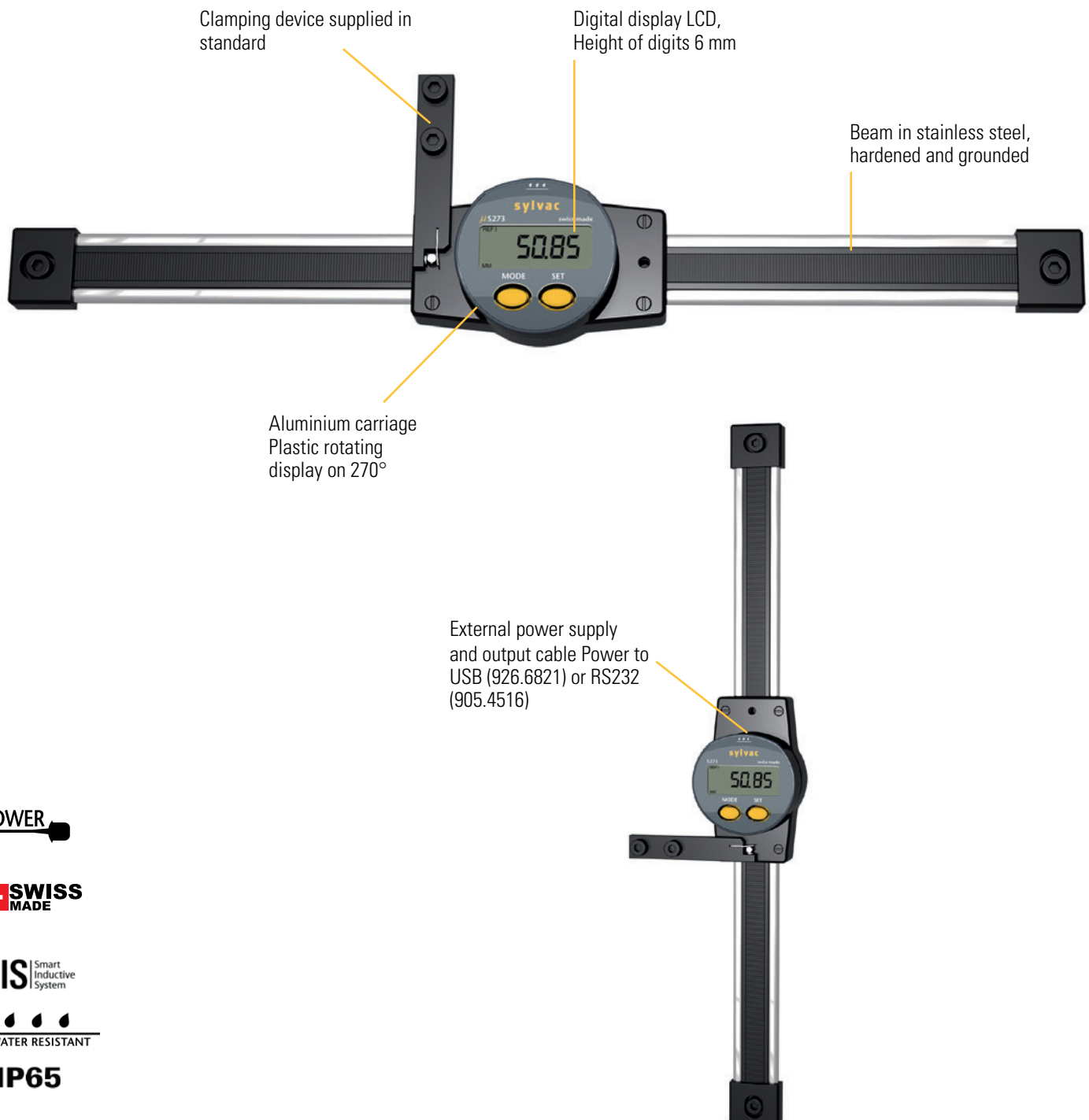


Digital scales

S_Scale WORK

DESCRIPTION

- Max displacement speed: 2 m/sec
- RS232 or USB Data output
- External power supply by Power cable
- Easy to integrate in your projects



POWER 

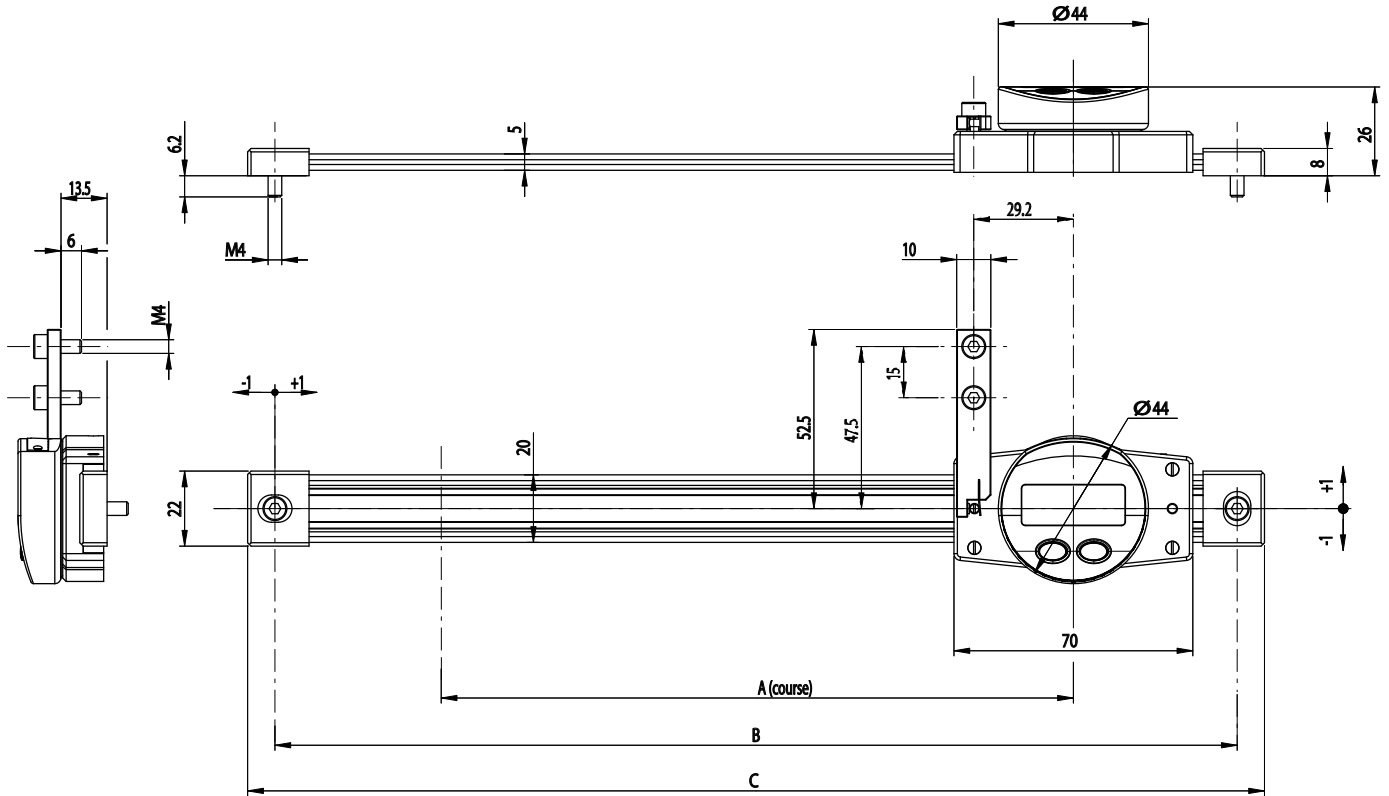
 **SWISS
MADE**

SIS | Smart
Inductive
System


WATER RESISTANT

IP65

DIMENSIONAL DRAWINGS



TECHNICAL SPECIFICATIONS

| | | 109751.0100 | 109751.0200 | 109751.0300 | 109751.0400 |
|----------------------------------|----|---------------------------|-------------|-------------|-------------|
| Measuring range | mm | 150 | 200 | 300 | 600 |
| Type | | H / V | H / V | H / V | H / V |
| Max. Error | µm | 20 | 20 | 30 | 30 |
| Repeatability ¹⁾ | µm | 10 | 10 | 10 | 10 |
| Resolution mm | | 0.01 | 0.01 | 0.01 | 0.01 |
| A | mm | 185 | 235 | 335 | 665 |
| B | mm | 282 | 332 | 432 | 762 |
| C | mm | 298 | 348 | 448 | 778 |
| Output data | | USB / RS232 ²⁾ | | | |
| Selection of measuring direction | | | • | | |
| PRESET function | | | • | | |
| 2 references | | | • | | |

¹⁾ ± 1 digit

²⁾ see cables chapter