

# Depth gauge

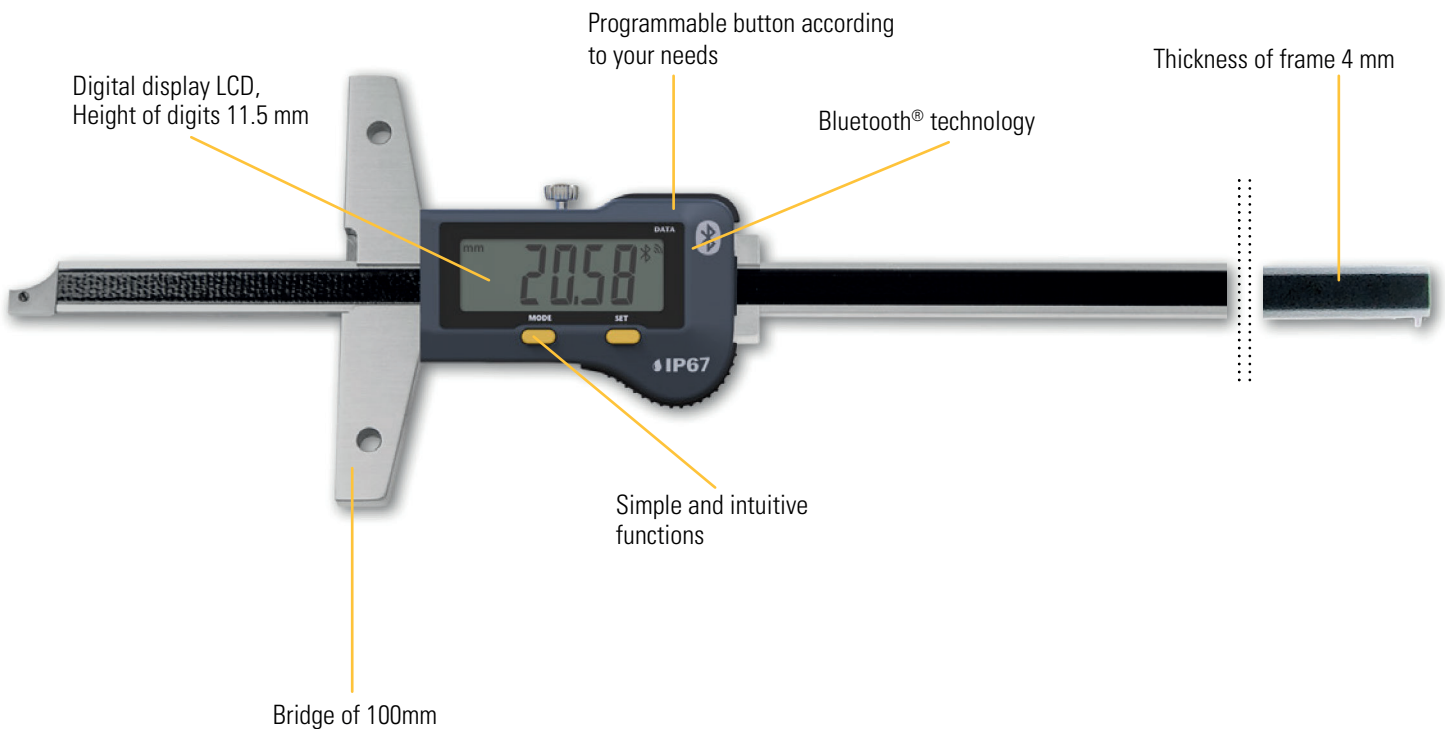
# S\_Depth EVO

## DESCRIPTION

## SHORTCUT MEASURING FACE

- **Integrated Bluetooth® wireless technology**

- Special depth gauge with bridge 100mm and clamping screw
- Programmable button according to your needs
- Water protected for heavy-duty work with coolants and lubricants, protection rating IP67 according to IEC 60529,
- Automatic wake-up by moving the electronic on his frame. (Absolute System S.I.S)
- Sleeping mode after 10 min. of no use. (Absolute System S.I.S)
- Position memorized in sleeping mode, **Absolute System S.I.S\***
- Maximum speed of displacement : 2.5 m/sec
- Mechanical frame in stainless steel, hardened and grinded



\* SIS description on page 5

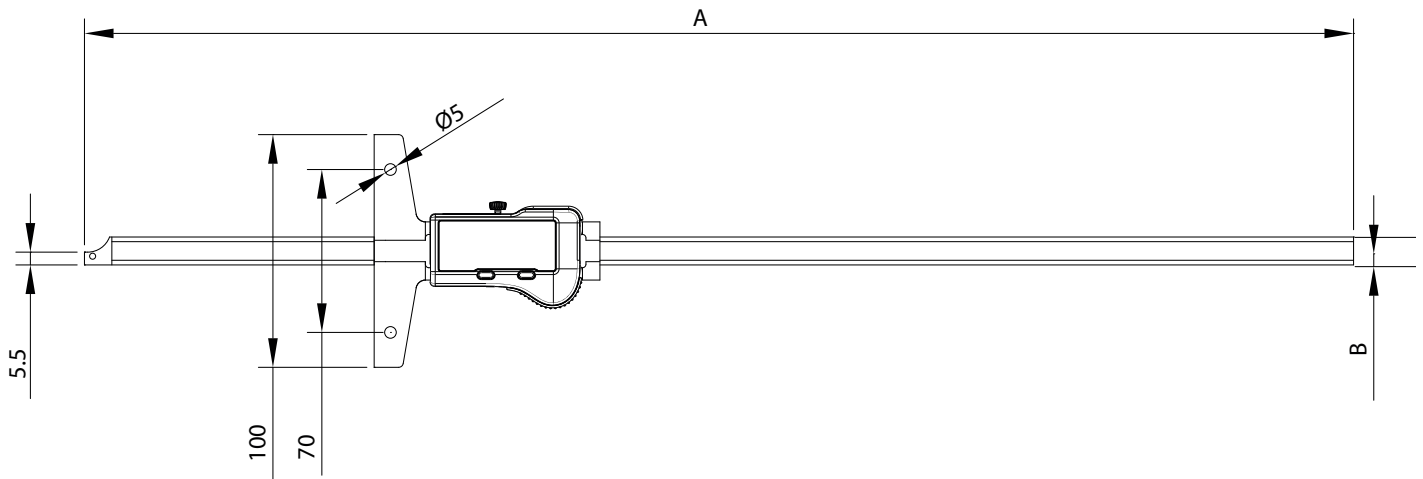
## Bridge of 100mm with clamping screw

# Depth gauge

# S\_Depth EVO

DIMENSIONAL DRAWING

SHORTCUT MEASURING FACE



## TECHNICAL SPECIFICATIONS

		112430.0100	112430.0200	112430.0300
Measuring range	mm	200	300	500
Max. Error	µm	30	30	50
Resolution	mm	0.01		
A	mm	300	400	600
B	mm	12x4		
Output data		Bluetooth® wireless technology*		
Functions		Zero setting, Preset (max 999.99), mm/inch, Hold, Data		
Smart Inductive Sensor		●		

\* Up to 8 instruments connected per dongle 109145.1390  
 More informations on How to use Bluetooth® leaflet SYL\_1401\_EN\_BT

# Depth gauge

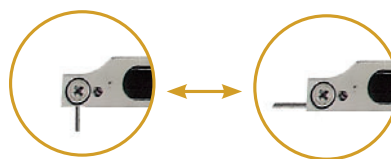
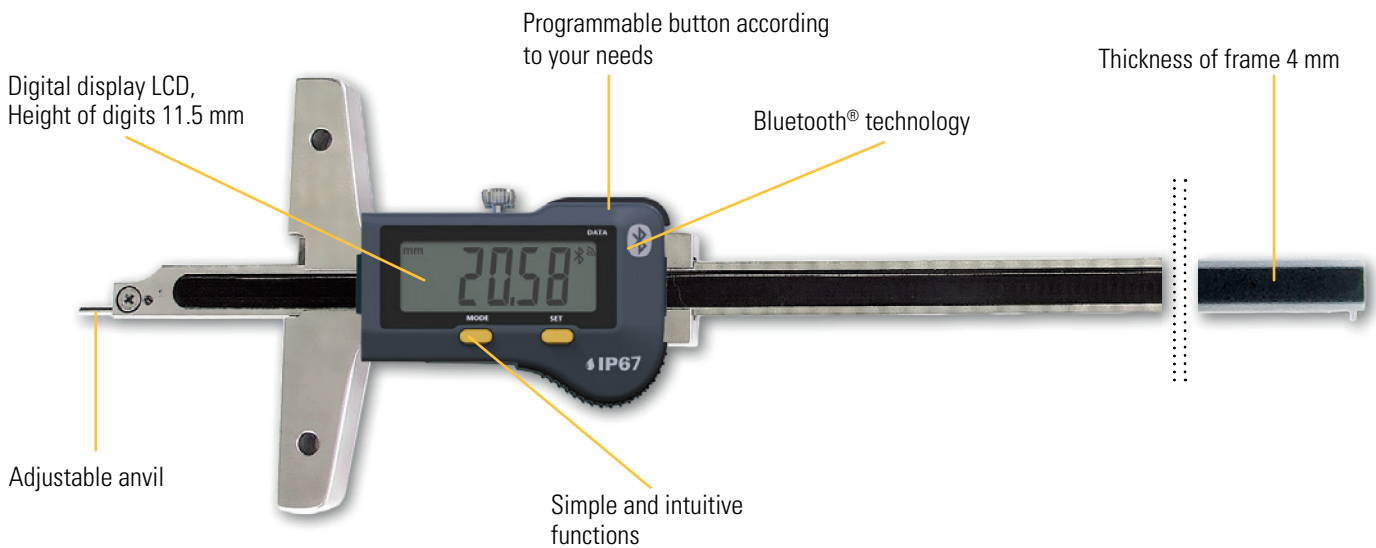
# S\_Depth EVO

## DESCRIPTION

ROTARY PIN

- **Integrated Bluetooth® wireless technology**

- Special depth gauge double with adjustable anvil and clamping screw
- Programmable button according to your needs
- Water protected for heavy-duty work with coolants and lubricants, protection rating IP67 according to IEC 60529,
- Automatic wake-up by moving the electronic on his frame. (Absolute System S.I.S)
- Sleeping mode after 10 min. of no use. (Absolute System S.I.S)
- Position memorized in sleeping mode, **Absolute System S.I.S\***
- Maximum speed of displacement : 2.5 m/sec
- Mechanical frame in stainless steel, hardened and grinded



**Adjustable anvil !**



**SIS** Smart Inductive System



**IP67**

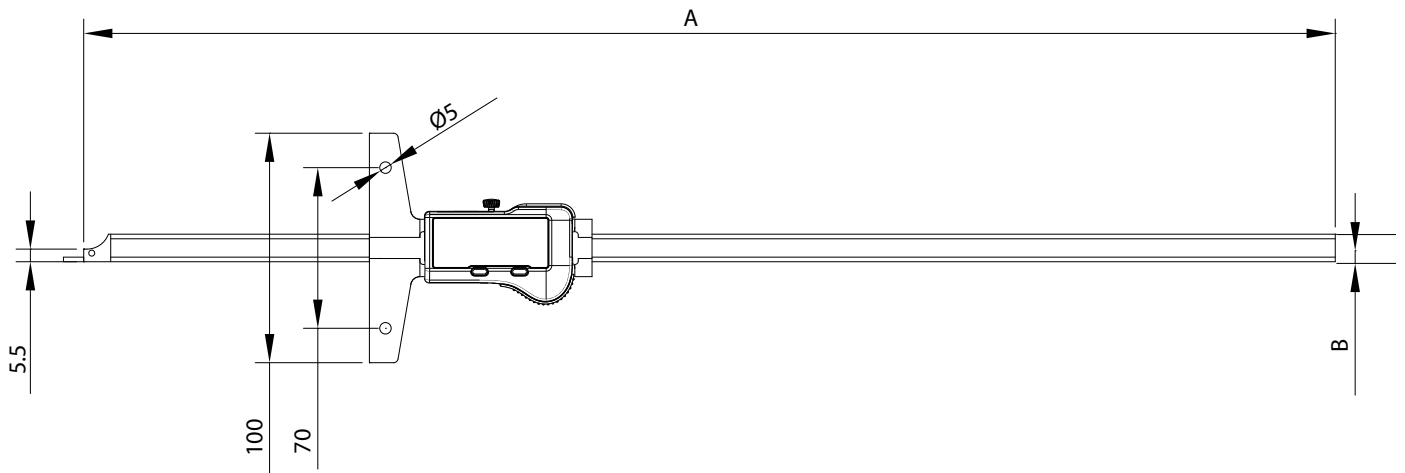
\* SIS description on page 5

# Depth gauge

# S\_Depth EVO

DIMENSIONAL DRAWING

ROTARY PIN



## TECHNICAL SPECIFICATIONS

		112430.1100	112430.1200	112430.1300
Measuring range	mm	200	300	500
Max. Error	µm	30	30	50
Resolution	mm	0.01		
A	mm	300	400	600
B	mm	12x4		
Output data		Bluetooth® wireless technology*		
Functions		Zero setting, Preset (max 999.99), mm/inch, Hold, Data		
Smart Inductive Sensor		●		

\* Up to 8 instruments connected per dongle 109145.1390  
 More informations on How to use Bluetooth® leaflet SYL\_1401\_EN\_BT

# Depth gauge

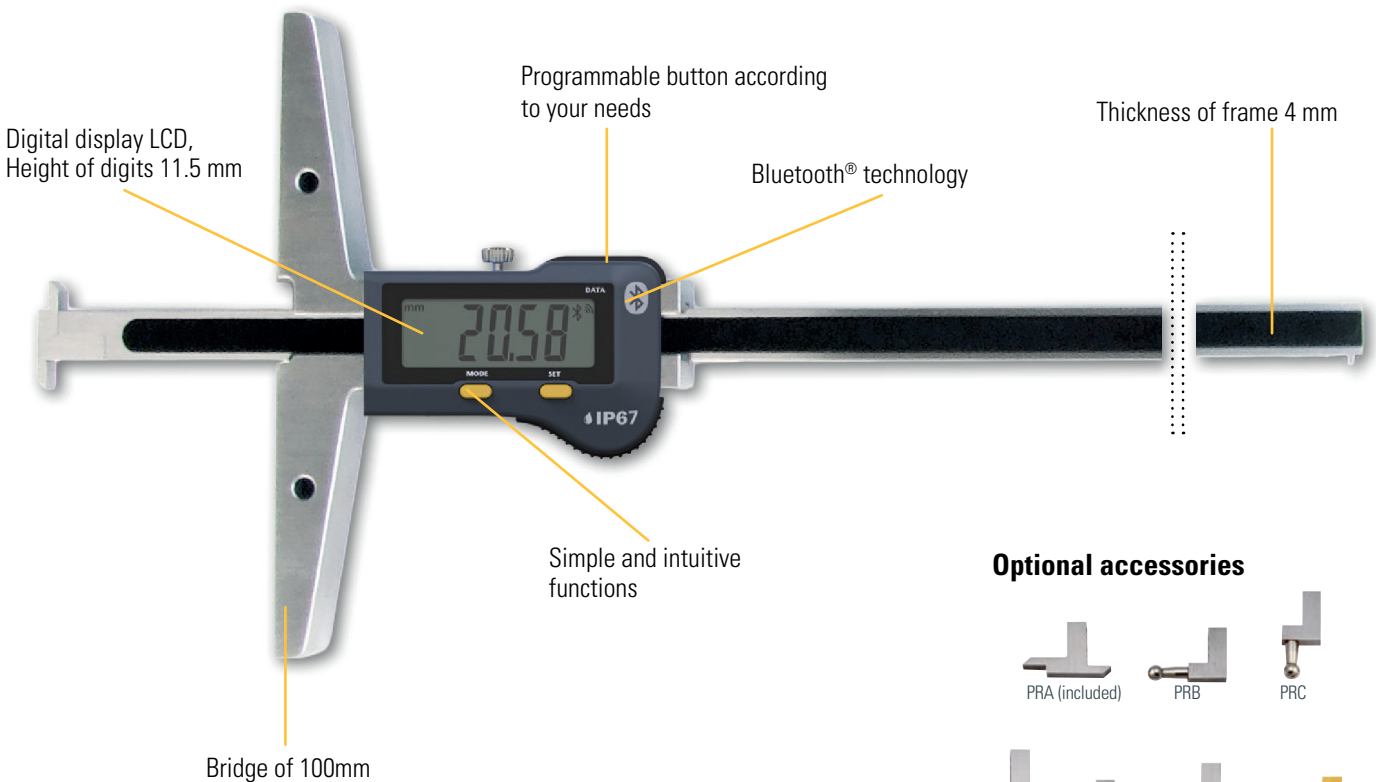
# S\_Depth EVO

## DESCRIPTION

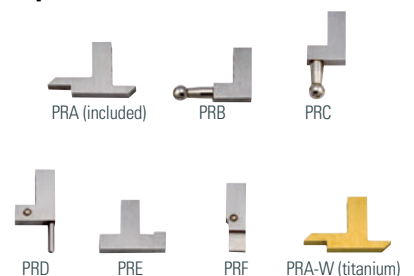
## TWO FIXED MEASURING JAWS

- **Integrated Bluetooth® wireless technology**

- Special depth gauge with bridge 100mm and clamping screw
- Programmable button according to your needs
- Water protected for heavy-duty work with coolants and lubricants, protection rating IP67 according to IEC 60529,
- Automatic wake-up by moving the electronic on his frame. (Absolute System S.I.S)
- Sleeping mode after 10 min. of no use. (Absolute System S.I.S)
- Position memorized in sleeping mode, **Absolute System S.I.S\***
- Maximum speed of displacement : 2.5 m/sec
- Mechanical frame in stainless steel, hardened and grinded



### Optional accessories



## Interchangeable anvils

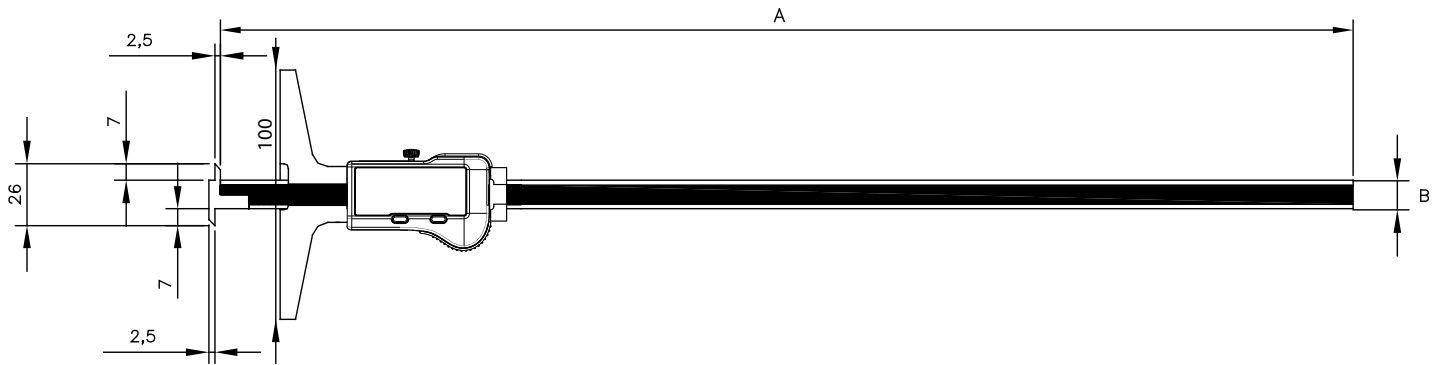
\* SIS description on page 5

# Depth gauge

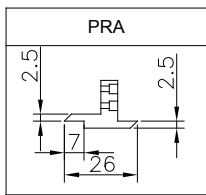
# S\_Depth EVO

DIMENSIONAL DRAWING

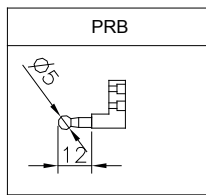
TWO FIXED MEASURING JAWS



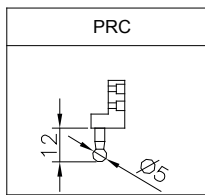
112435.1000/1010



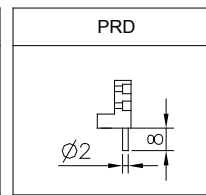
112435.1020



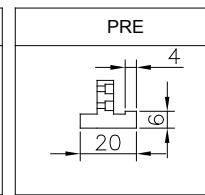
112435.1030



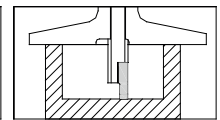
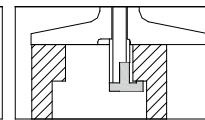
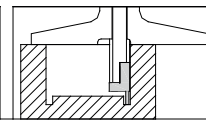
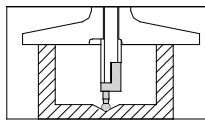
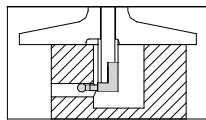
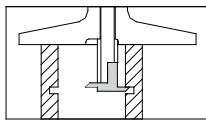
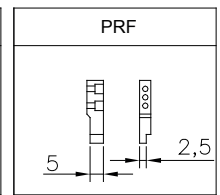
112435.1040



112435.1050



112435.1060



## TECHNICAL SPECIFICATIONS

		112430.1500	112430.1600	112430.1700
Measuring range	mm	200	300	500
Max. Error	µm	30	30	50
Resolution	mm	0.01		
A	mm	300	400	600
B	mm	12x4		
Output data		Bluetooth® wireless technology*		
Functions		Zero setting, Preset (max 999.99), mm/inch, Hold, Data		
Smart Inductive Sensor		●		

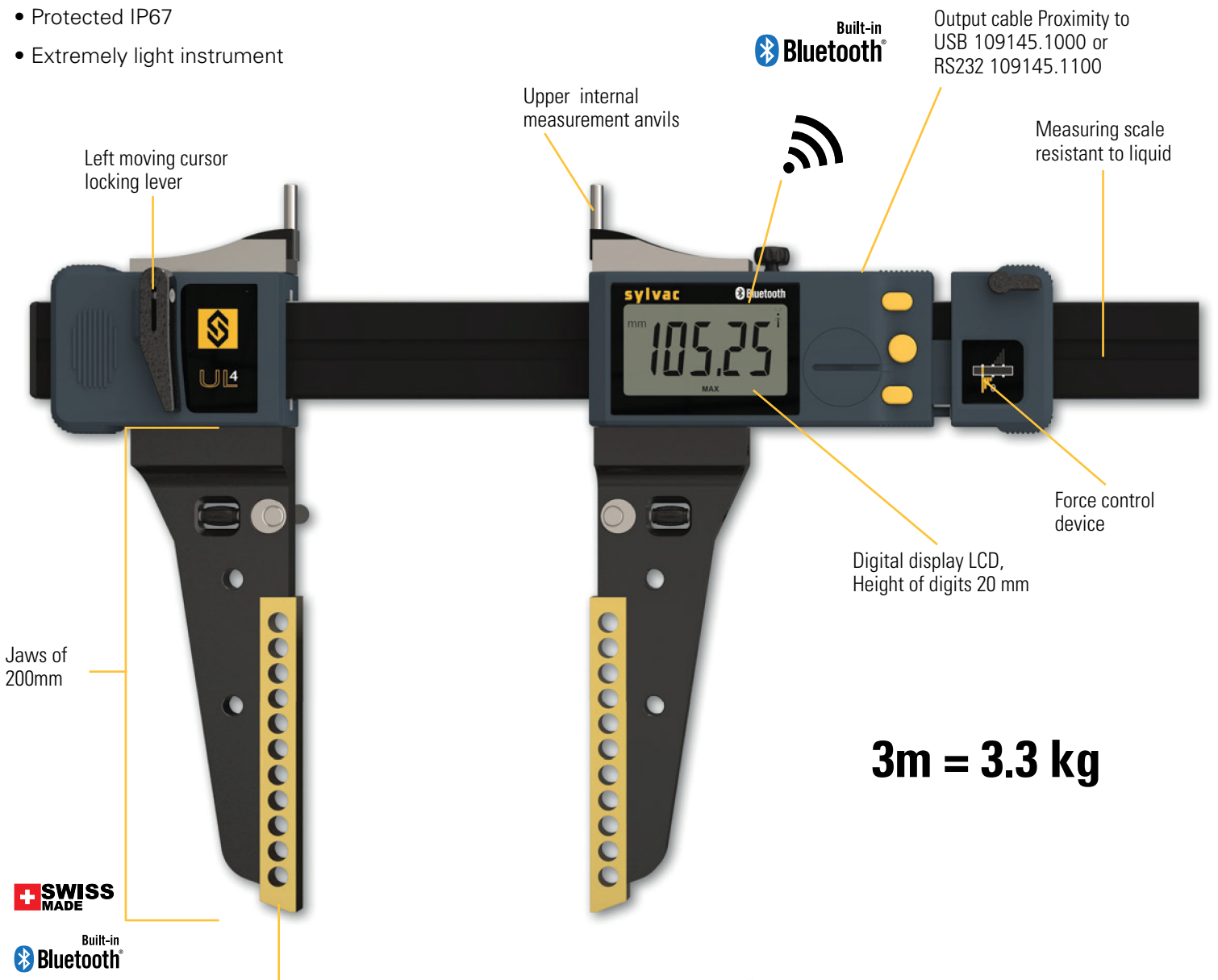
\* Up to 8 instruments connected per dongle 109145.1390  
More informations on How to use Bluetooth® leaflet SYL\_1401\_EN\_BT

# Ultra light caliper

# UL4

## DESCRIPTION

- Ultra light caliper for external and internal measurements
- **Integrated Bluetooth® wireless technology**
- New Series with extra large display
- Aluminium beam reinforced by four stainless steel rods
- Long jaws 200 mm coated with titanium
- New carbide upper internal tips
- Measuring force applied control
- Protected IP67
- Extremely light instrument



**3m = 3.3 kg**

PROXIMITY Stainless steel external jaws, thickness 8 mm, titanium coated

WATER RESISTANT

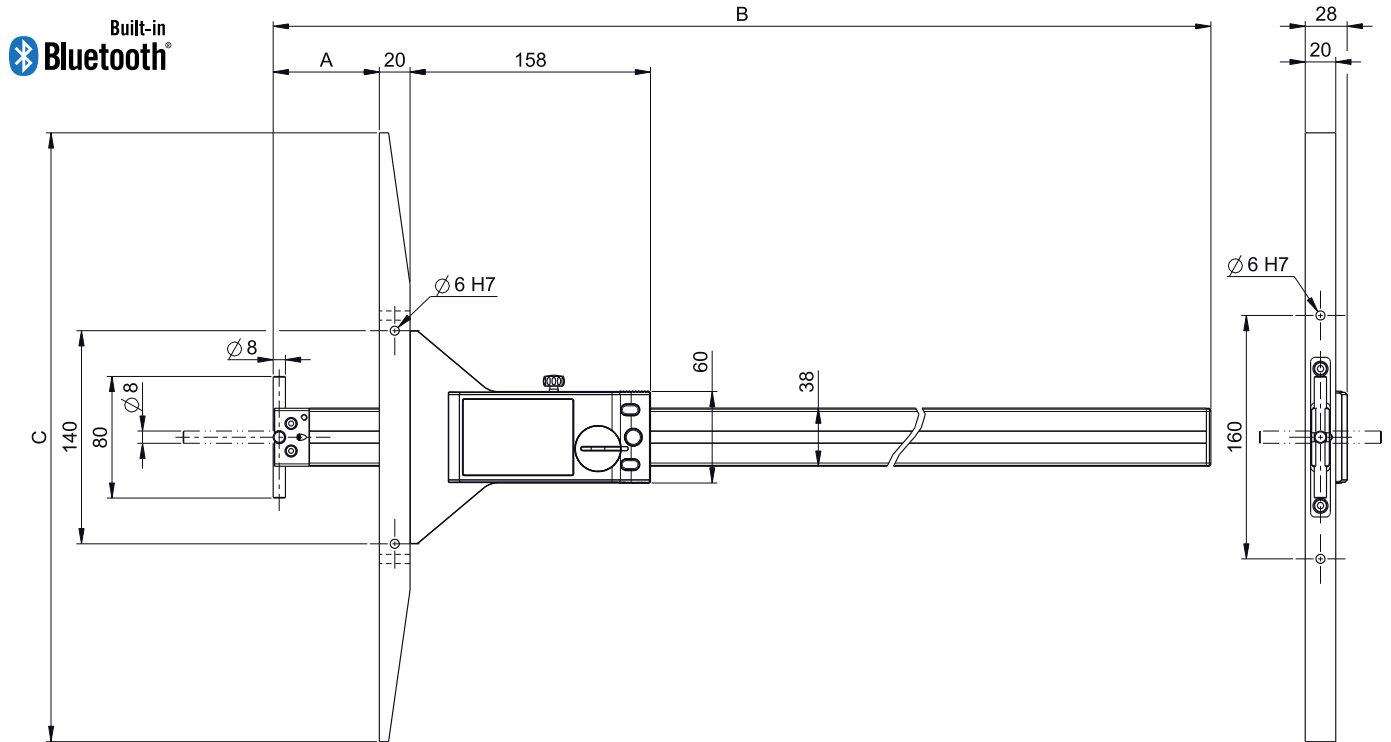
IP67



# Ultra light depth gauge

# UL V4

## DIMENSIONAL DRAWING



## TECHNICAL SPECIFICATIONS

		112430.4000	112430.4100
Measuring range	mm	1000	1500
Max.Error	µm	100	130
Repeatability	µm	20	
Resolution	mm	0.01	
A	mm	0 - 1030	0 - 1545
C	mm	400	600
B	mm	1242	1757
Output data		Bluetooth® wireless technology* / RS232 / USB	
IP67 Protection		●	
Preset max.		±9999.99 mm / ±399.9995 IN	
Weight	kg	2.2	3.16
Setting by PC		●	
2 references		●	
Min/Max function		●	
Tolerance limit indicators		●	

\* Up to 8 instruments connected per dongle 109145.1390  
More informations on How to use Bluetooth® leaflet SYL\_1401\_EN\_BT